

# Solenoids

## Series 41 Small, powerful, high force/stroke ratio solenoid



### GENERAL DESCRIPTION

AC & DC types

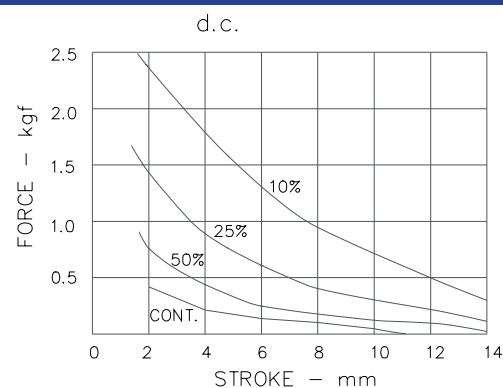
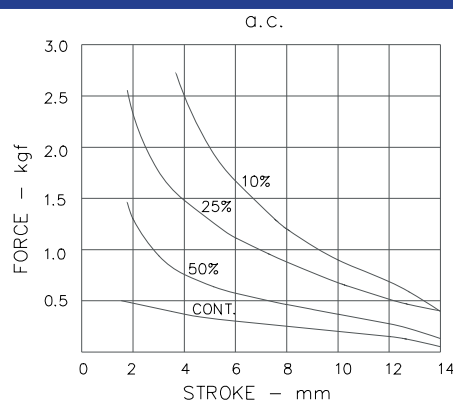
Pull & thrust versions

Shading ring for quiet AC operation

### PERFORMANCE

	Item	Specification
ELECTRICAL	Maximum Ontime	See table below
	Closed power (continuous rating)	AC: 10.5VA DC: 6.5W
	Maximum permissible voltage	240V
	Insulation	All coils tested to frame at 1500V RMS 50Hz
MECHANICAL	Weight	142g Plunger: 35g
	Ambient temperature	The information given on this page is based on room temperature of 20 C allowing for a nominal 75 C temperature rise in coil.
	Force/Stroke curve	These force curves show average performance only. In addition to normal manufacturing tolerances, deviations can be expected at some voltages due to the coil winding tolerances.
	Approvals	Solenoids which are approved to the Canadian Standards Association requirements can be supplied if specified

### FORCE/STROKE CURVES & ON TIME

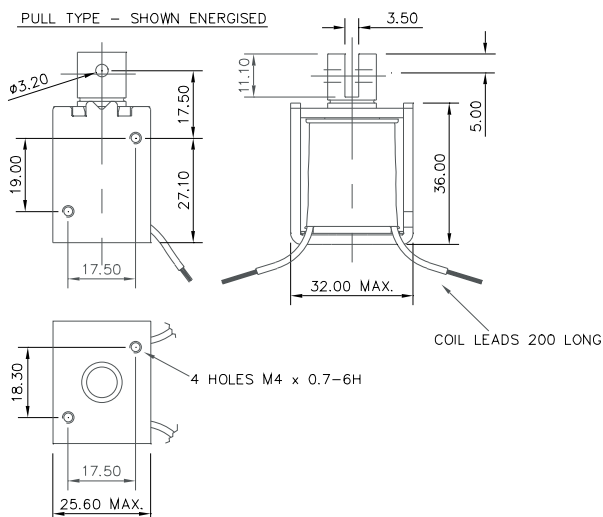


### MAXIMUM ON TIME

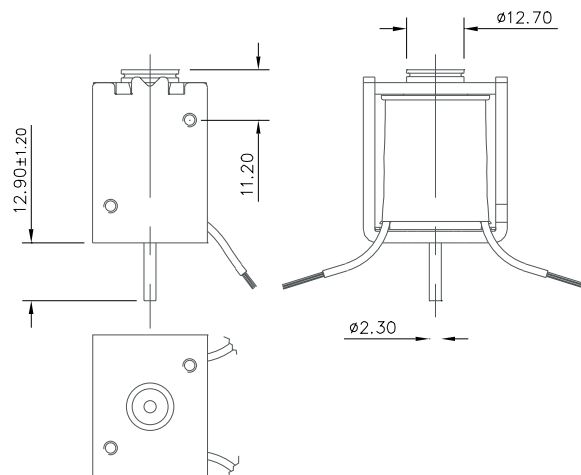
	10%		25%		50%	
	1 cycle	Cont. cycle	1 cycle	Cont cycling	1 cycle	Cont. cycling
AC	50 sec	30 sec	2.75 min	1.7 min	8 min	6.25 min
DC	35 sec	20 sec	1.75 min	1 min	4.5 min	3.75 min

# DIMENSIONS (mm)

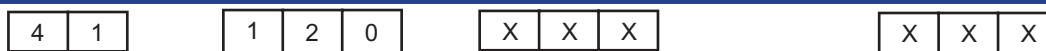
PULL TYPE - SHOWN ENERGISED



PUSH TYPE - SHOWN ENERGISED



# CODING



AC	1
DC	6
Pull	1
Push	2
STANDARD	0
With Push Off Spring	1

COIL		Cont.	50%	25%	10%
		24V AC 50 Hz	01	02	03
50V AC 50Hz	08	09	10	11	
115V AC 50Hz	15	16	17	18	
220V AC 50Hz	23	24	25	26	
230V AC 50Hz	39	40	41	42	
115V AC 60Hz	19	20	21	22	
220V AC 60Hz	27	28	29	30	
230V AC 60Hz	43	44	45	46	
6V DC	54	55	56	57	
9V DC	58	59	60	61	
12V DC	62	63	64	65	
24V DC	72	73	74	75	
28V DC	76	77	78	79	
36V DC	80	81	82	83	
50V DC	84	85	86	87	
115V DC	88	89	90	91	
220V DC	92	93	94	95	
240V DC	96	97	98	99	

Standard Leads	0
Faston Tags "250" Type	3



BLP products are designed, manufactured and tested to ISO 9001 quality standards.  
 BLP Reserve the right to change without prior notice the information contained in this leaflet.

**BLP Components Ltd., Exning Rd, Newmarket, Suffolk CB8 0AX, England**  
 Tel: +44 (0)1638 665161 Fax: +44 (0)1638 660718 Email: sales@blpcomp.com Website: http://www.blpcomp.com