

Part Number: BL0307-50-44

Super Bright Red

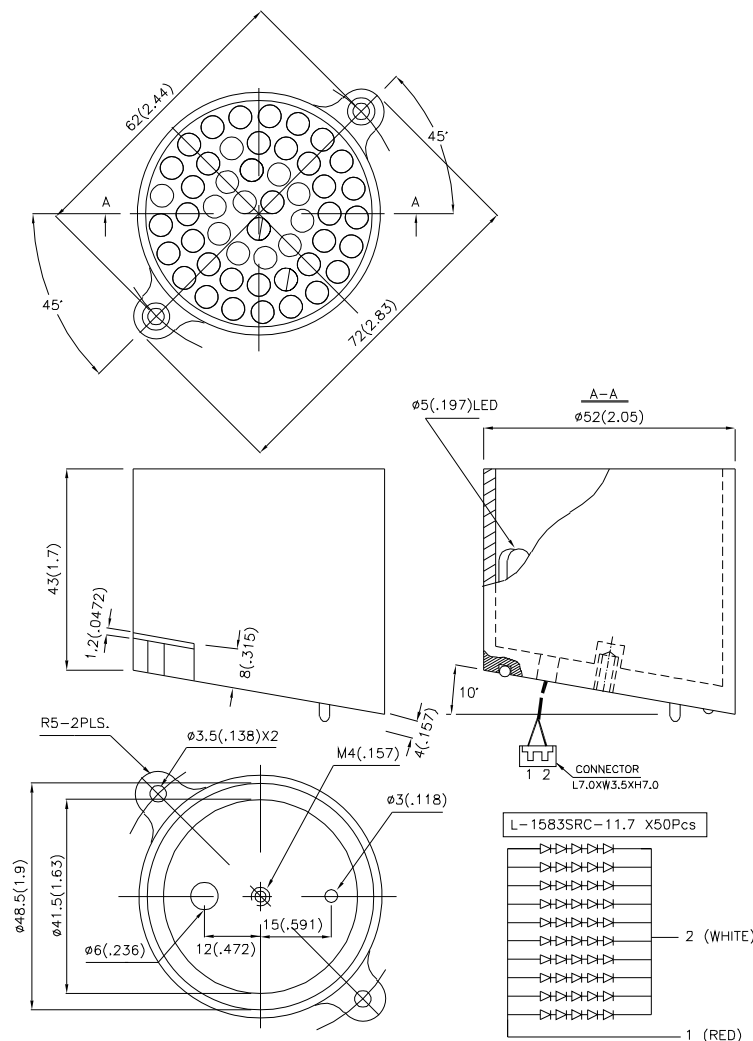
Features

- Waterproof construction.
- Suitable for outdoor applications, signboard or message board, etc.
- RoHs compliant.

Description

The Super Bright Red source color devices are made with Gallium Aluminum Arsenide Red Light Emitting Diode.

Package Dimensions



Notes:

1. All dimensions are in millimeters (inches).
2. Tolerance is $\pm 0.25(0.01)$ " unless otherwise noted.
3. The specifications, characteristics and technical data described in the datasheet are subject to change without prior notice.



Electrical / Optical Characteristics at T_A=25°C

Symbol	Parameter	Device	Min.	Typ.	Max.	Units	Test Conditions
I _v	Luminous Intensity	BL0307-50-44	15000	30000	-	mcd	I _F =200mA
			*5000	*10000			
2θ _{1/2}	Viewing Angle		-	40	-	deg	-
V _F	Forward Voltage		-	9.3	12.5	V	I _F =200mA
λ _{peak}	Peak Wavelength		-	655	-	nm	I _F =200mA
λ _D	Dominant Wavelength		-	640	-	nm	I _F =200mA
Δλ _{1/2}	Spectral Line Half-width		-	20	-	nm	I _F =200mA
I _R	Reverse Current		-	-	100	uA	V _R = 5V

Notes:

1. Wavelength value is traceable to the CIE127-2007 compliant national standards.
*Luminous intensity value is traceable to the CIE127-2007 compliant national standards.

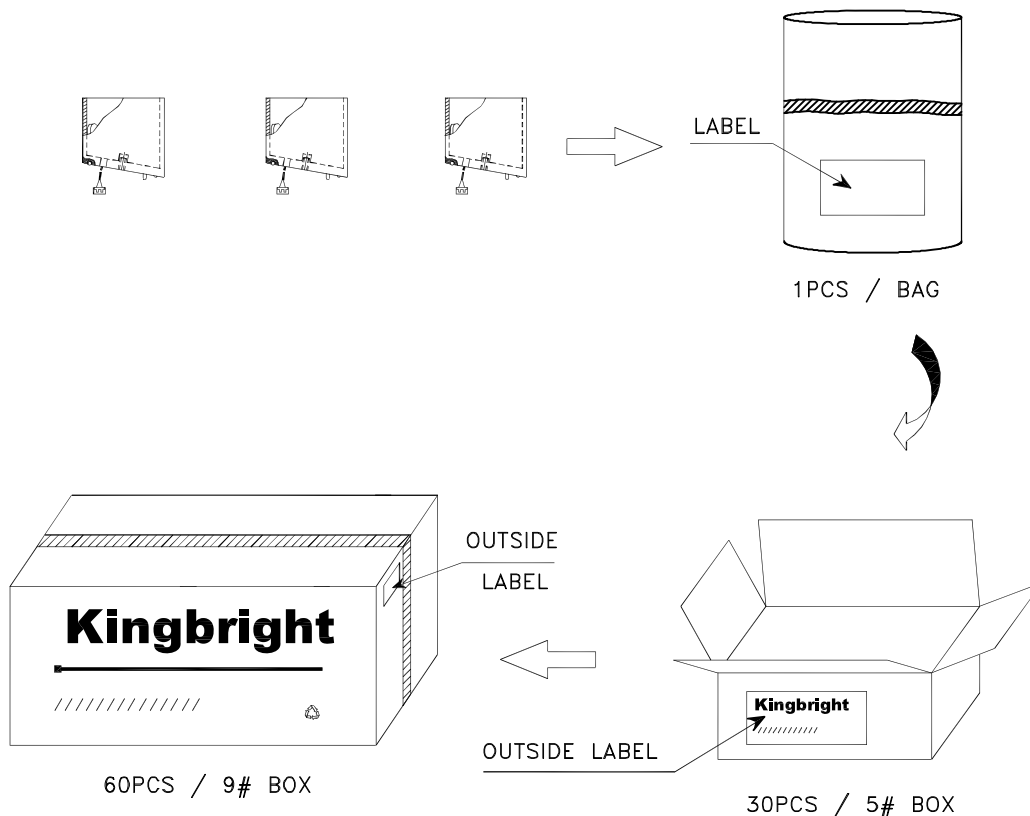
Absolute Maximum Ratings at T_A=25°C


Parameter	Type	Units
Power dissipation	3750	mW
DC Forward Current	300	mA
Reverse Voltage	5	V
Operating Temperature	-40°C To +70°C	
Storage Temperature	-40°C To +85°C	

Kingbright

PACKING & LABEL SPECIFICATIONS

BL0307-50-44



<h2 style="margin: 0;">Kingbright</h2>		
P/NO: BL0307-50xxx		
QTY: 1pcs	Q.C.	Q C
S/N: XXXX		XX XX XXXX
CODE: XXX		PASSED
LOT NO:		
 XXXXXXXXXXXXXXXXXXXX		
RoHS Compliant		

Detailed application notes are listed on our website.
http://www.kingbright.com/application_notes